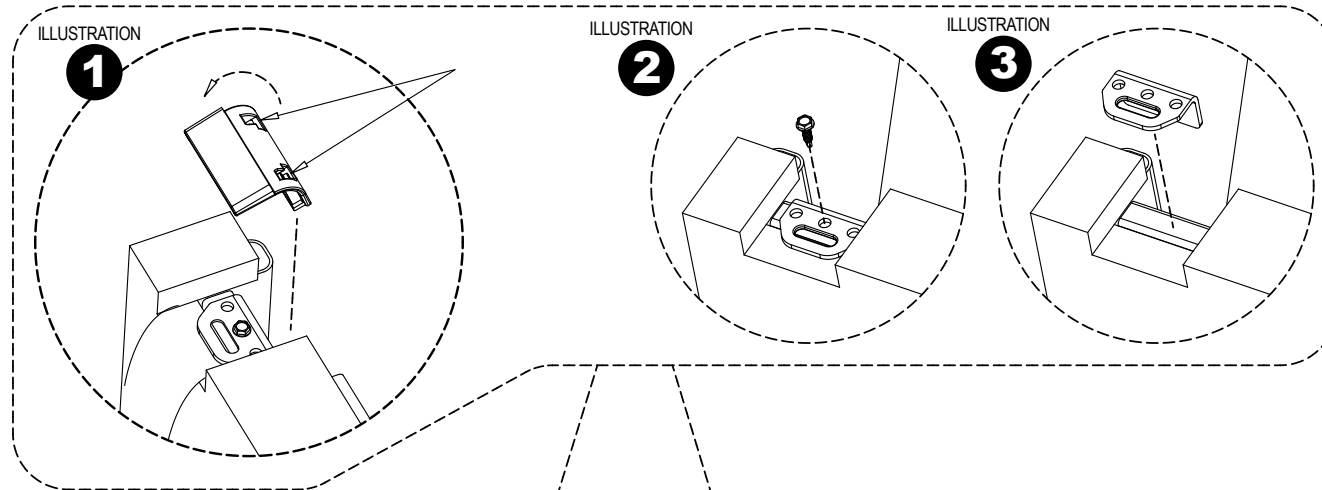
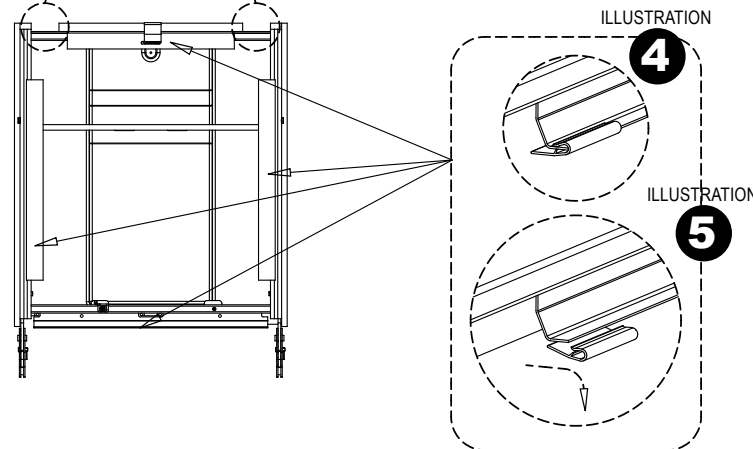


SmartFrame Upholstery and Foam Replacement



PART 2 Re-assembly of the Smart Frame

- 1) Replace foam.
- 2) Lay new cover over foam and frame, ensuring 3-Point restraint gussets are at the top of assembly. Starting at the top, pull cover around frame towards the bottom.
- 3) Carefully turn assembly over. Hook the J-channel onto the sheetmetal along the top first, then along the bottom edge. Finally, hook the left and right sides.
- 4) If the SmartFrame has the Integrated Child Seat (ICS) option, turn assembly over, vinyl side up. Fasten the hook & loop edges of the cover around the perimeter of the ICS cavity.
- 5) Ensure all foam is completely covered as viewed from the front of the frame assembly.
- 6) Re-attached 3-Point restraints if so equipped. See steps 2 through 18 of "Assembling the 3-point Restraint System to a SafeGuard School Bus Seat" procedure. NOTE: Install the rear bolts of the pivot mechanism first to hold the Smart Frame assembly while attaching the restraint system to the outer frame.



PART 1

- 1) Follow the procedure for "Smart Frame Removal".
- 2) If 3-point restraint system is attached, complete Steps 3 through 4 Below; otherwise go directly to Step 5.
- 3) Insert a small standard screwdriver into one of the slots located at the top of the black plastic web guide. Gently pry the screwdriver forward, separating the web guide from the web guide bracket. (See Illustration 1)
- 4) Remove the self-tapping hex head screw from the web guide bracket, separating the bracket and whole restraint system from the top of the SmartFrame. (See Illustration 2 & 3)
- 5) Lay SmartFrame assembly on flat surface, vinyl side down.
- 6) Using fingertips or small standard screwdriver, pry plastic J-channel off of sheetmetal edges from all four (4) sides. (See Illustration 4 & 5)
- 7) If the SmartFrame has the Integrated Child Seat (ICS) option, turn assembly over, vinyl side up. Peel all four (4) edges of hook & loop fasteners from perimeter of the ICS cavity.
- 8) Peel vinyl cover away from foam and frame. Retain silk film located between the vinyl and foam for re-assembly.
- 9) Remove foam.